

GENNIUS VEGA

01.08.23_rev.01



KE
ENJOY THE OUTDOORS





PLUS PRODUCT



ADJUSTABLE FOOT

Height adjustable to compensate for slope without requiring changes to the existing floor. Integrated downspout for better drainage and simplified ground preparation.



WALL SYSTEM

fabric closing system that eliminates typical sagging



LINEAR SYSTEM

the gutter is always aligned with the column. In addition to a cleaner appearance, it guarantees better water flow



FABRIC PROFILE with lights or without. The cover are made entirely of aluminum. Possibility of lighting with led strip.



INSERT PROFILE
Available in 6 standard finishes and 3 wood-effect finishes (cherry, wenge, veined white). Optional backlighting with dimmable LED strips on the sides of the structure.



FIXING BARS
made of cast aluminum for highest quality results

GENNIUS VEGA



↔ 1300 ↻ 700



↔ 170 ↻ 100

Pergola awning with cover fabric fixed on crossbars, horizontally foldable by means of trolleys and guides. The maximum dimensions allowed are 1300x700 with 300 cm. high pillars. 91 mq coverage area. The profiles are made of EN AW-6060 extruded aluminium alloy (with 13x13 cm guides and columns). The structure can be wall-mounted via steel brackets and hardware.

The painting of the interested parties is carried out with epoxy powders based on polyester resin. The standard colors are RAL 9010 White, RAL 1013 Off-white, RAL 7016 Iron, rough Carbon and rough Corten.

Opatex Flat are the fabrics available as standard.

Additional options include other colors, other fabrics as per sample book and motorised movement.

There is also the possibility of installing light kits on rails, columns, crossbar, gutter and the installation of light sensors and anemometers with the possibility of remote management through connection devices.

Possibility of installation of perimeter drop blinds, installation of glass doors, installation of gables.

Wind resistance guaranteed up to class 6 (EN 13561:2015).

GTOT solar shading class (EN 14501:2006) assigned to the fabric.

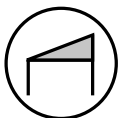
Product certified with CE marking according to EN 13561:2015

OPTIONAL

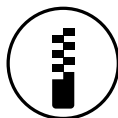
LIGHT



GABLES



VERTIKA

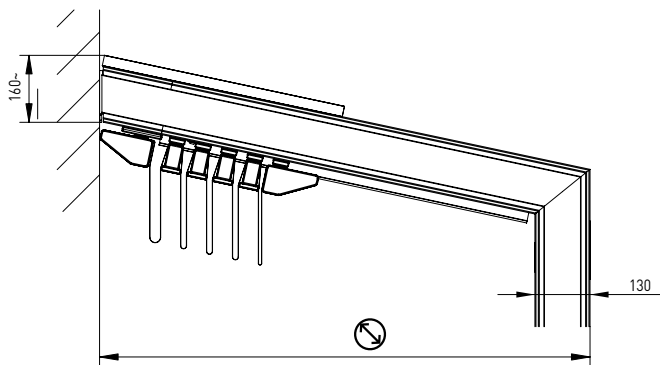


GLASS DOORS

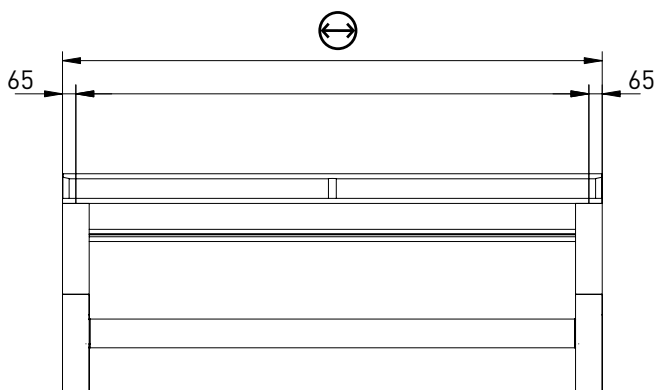


TECHNICAL INFORMATION

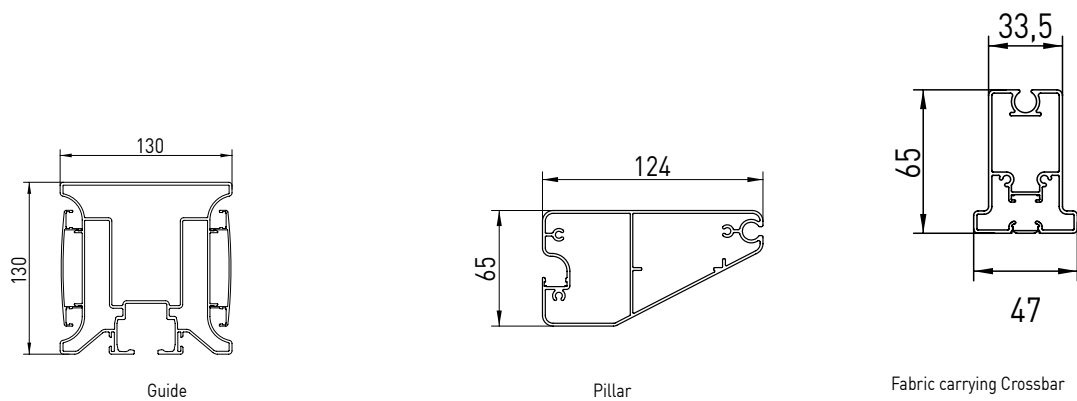
General technical plan



Guides interaxis width

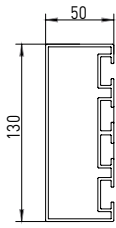


Profiles dimensions

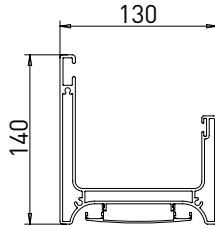


TECHNICAL INFORMATION

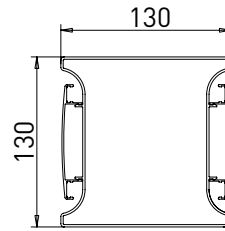
Girder section



Guide support profile

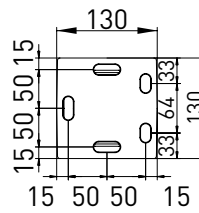
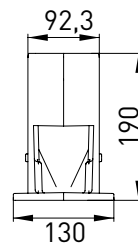
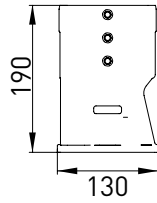
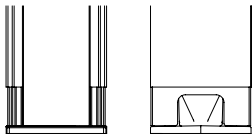


Front beam

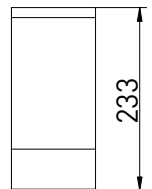
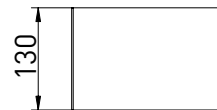
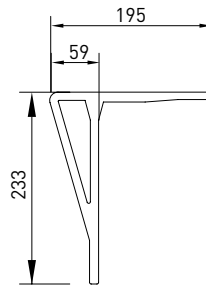
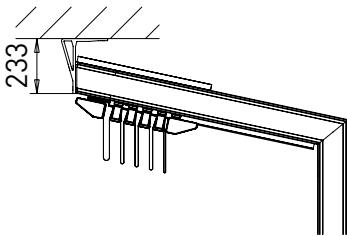


Pilar

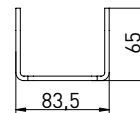
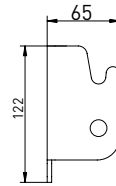
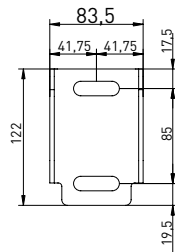
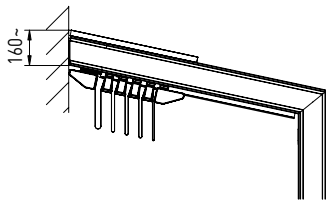
Ground connection



Ceiling installation

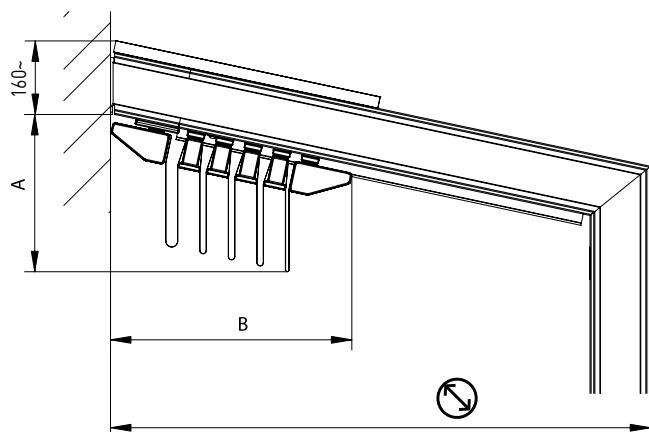


Wall installation




TECHNICAL INFORMATION

Cloth dimensions



Indicative values of the fabric encumbrance and the number of the fabric carrying crossbar profiles.

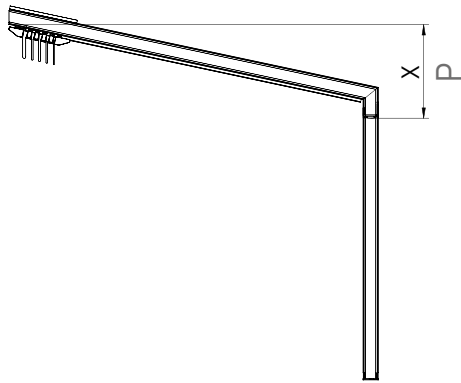
Traverse movement

	A cm	B cm	N
250	39	50	5
300	40	55	5
350	41	60	6
400	42	66	7
450	43	71	8
500	44	71	9
550	44	76	10
600	45	81	10
650	46	86	11
700	47	91	12

Crossbar profile numbers (terminals included). Maximum interaxis fabric carrying cross bar profiles measure cm 58.

TECHNICAL INFORMATION

SLOPES



2 GUIDES	cm	Width					
		250	300	350	400	450	500
		STD /	STD /	STD /	STD /	STD /	STD /
	150	26 /	28 /	30 /	32 / 25	34 / 26	38 / 27
	200	30 /	33 /	36 /	38 / 29	41 / 31	46 / 32
	250	34 /	38 /	41 /	45 / 34	48 / 35	54 / 37
	300	39 /	43 /	47 /	52 / 38	56 / 40	63 / 42
	350	43 /	48 /	53 /	58 / 43	63 / 45	73 / 47
	400	48 /	54 /	59 /	65 / 47	71 / 50	82 / 52
	450	53 /	59 /	66 /	72 / 52	79 / 55	93 / 58
	500	58 /	65 /	72 /	79 / 57	86 / 61	103 / 64
	550	63 /	71 /	79 /	87 / 62	94 / 66	112 / 70
	600	69 /	77 /	85 /	94 / 67	103 / 72	122 / 76
	650	74 /	83 /	92 /	102 / 72	111 / 78	
	700	83 /	92 /	102 /	112 / 81	122 / 87	

Projection

Width

STD
Standard

| |
Added module

P= Minimum inclination for a correct water outflow

3 GUIDES	cm	Width								
		500	550	600	650	700	750	800	850	900
		STD /	STD /	STD /	STD /	STD /	STD /	STD /	STD /	STD /
	150	27 /	29 /	30 / 25	31 / 26	32 / 27	34 / 27	35 / 28	36 / 29	37 / 30
	200	32 /	34 /	35 / 29	37 / 30	39 / 31	40 / 32	42 / 33	44 / 34	45 / 35
	250	37 /	39 /	41 / 33	43 / 35	45 / 36	47 / 37	49 / 38	51 / 39	53 / 41
	300	42 /	45 /	47 / 38	49 / 39	52 / 41	54 / 42	56 / 43	59 / 45	61 / 46
	350	47 /	50 /	53 / 42	56 / 44	58 / 45	61 / 47	64 / 49	67 / 51	70 / 52
	400	53 /	56 /	59 / 47	62 / 49	65 / 51	68 / 52	72 / 54	75 / 56	78 / 58
	450	58 /	62 /	65 / 51	69 / 54	72 / 56	76 / 58	79 / 60	83 / 62	86 / 65
	500	64 /	68 /	72 / 56	76 / 59	79 / 61	83 / 63	87 / 66	91 / 68	95 / 71
	550	70 /	74 /	78 / 61	82 / 64	87 / 66	91 / 69	95 / 72	99 / 75	103 / 77
	600	76 /	80 /	85 / 66	89 / 69	94 / 72	98 / 75	103 / 78	108 / 81	112 / 84
	650	82 /	87 /	92 / 71	97 / 74	101 / 78	106 / 81	111 / 84	116 / 88	121 / 91
	700	91 /	97 /	102 / 80	107 / 83	112 / 87	117 / 90	122 / 94	125 / 97	133 / 101

4 GUIDES	cm	Width							
		950	1000	1050	1100	1150	1200	1250	1300
		STD /	STD /	STD /	STD /	STD /	STD /	STD /	STD /
	150	30 / 27	31 / 27	31 / 28	32 / 28	33 / 29	34 / 29	35 / 30	35 / 31
	200	35 / 31	36 / 32	37 / 33	39 / 33	40 / 34	41 / 35	42 / 36	43 / 36
	250	41 / 36	42 / 37	44 / 38	45 / 39	46 / 40	48 / 41	49 / 42	50 / 42
	300	47 / 40	49 / 42	50 / 43	52 / 44	53 / 45	55 / 46	56 / 48	58 / 49
	350	53 / 45	55 / 47	57 / 48	59 / 50	60 / 51	62 / 52	64 / 54	66 / 55
	400	59 / 50	61 / 52	63 / 54	65 / 55	68 / 57	70 / 58	72 / 60	74 / 62
	450	66 / 56	68 / 57	70 / 59	73 / 61	75 / 63	77 / 65	80 / 67	82 / 68
	500	72 / 61	75 / 63	77 / 65	80 / 67	82 / 69	85 / 71	88 / 73	90 / 75
	550	79 / 66	82 / 69	84 / 71	87 / 73	90 / 76	93 / 78	96 / 80	99 / 83
	600	85 / 72	89 / 74	92 / 77	95 / 79	98 / 82	101 / 85	104 / 87	108 / 90
	650	92 / 77	96 / 80	99 / 83	103 / 86	106 / 89	109 / 92	113 / 94	116 / 97
	700	102 / 86	106 / 89	110 / 92	113 / 96	117 / 99	121 / 102	125 / 105	128 / 108



The KE painting process includes high quality standards, with an 8-stage pre-treatment that includes degreasing, deoxidation, and protective treatments before painting. Thanks to this last phase, components and profiles are further guaranteed against particularly severe environmental situations. At the end of the process the profiles and components are painted with polyester resin-based epoxy powders.

Treated components are periodically tested in salt spray according to the ISO 9227 standard to confirm conformity and consistency of the process.

The European product standard EN 13561: 2015 defines corrosion resistance classes of the metal parts that make up the product according to the table below.

Tests performed on the painted components and profiles allow us to classify the product in the maximum class achievable according to EN 13561: 2015, C2 / 4 (48 h - internal components, 240 h - external components).

Equipped with the most modern process control systems including continuous monitoring in which the working parameters are recorded and corrected every 2 minutes, the new painting process guarantees the high quality characteristics of the product while minimizing the risk of environmental pollution.

This is a choice born from the desire to always keep up with technology while guaranteeing operator safety and low environmental impact.

Thanks to nanotechnologies, the implemented coating constitutes an excellent base for anchoring paints, ensuring excellent adhesion and resisting corrosion.

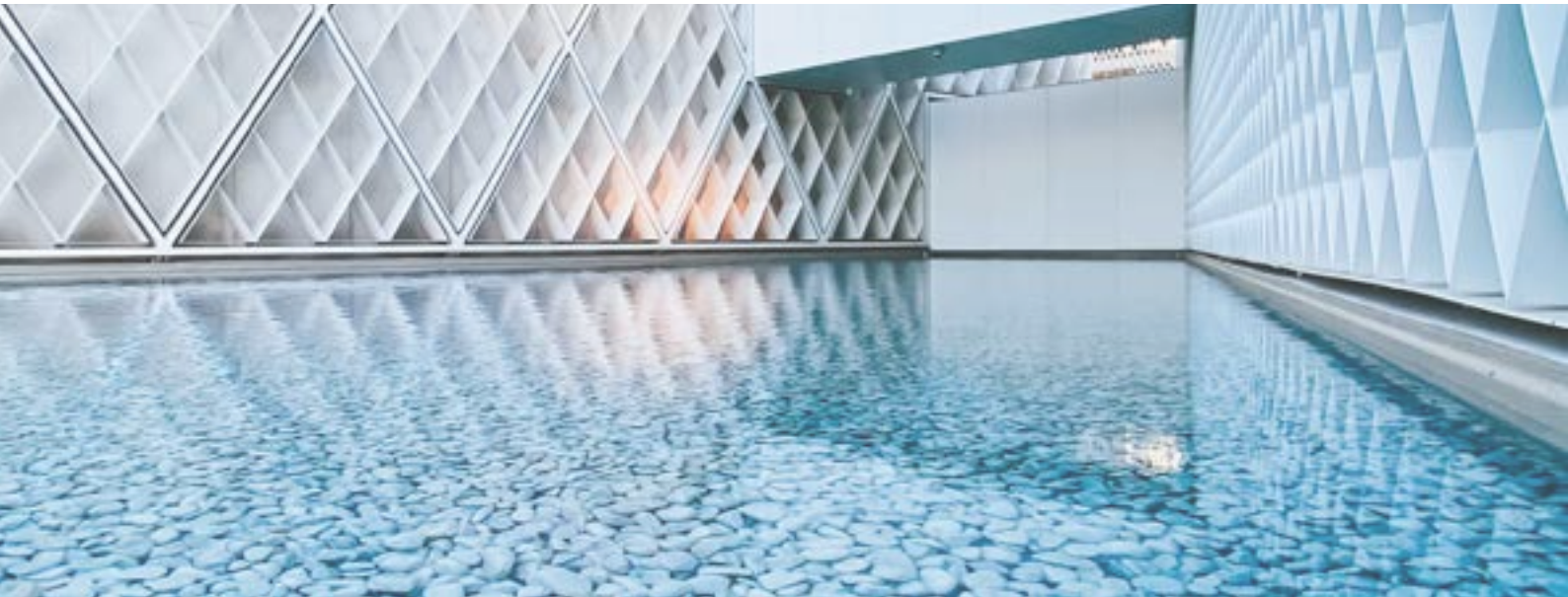
The plant in which aluminum or galvanized steel products with a length of up to 7 meters can be treated, includes 7 treatment tanks, 1 double compartment drying oven, 1 polymerization oven and 1 purification plant for waste water treatment.

The real focus of the plant, however, is the two powder coating booths, each with 4 stations for manual retouching. The booths allow greater production continuity, thanks to a drastic reduction in required stops for color changes.

CORROSION RESISTANCE

Classes	1	2	3	4
Internal components	24	48		
External components		48	96	240

COLOURS



When working with color, we know that our whole world is defined by light. And color is nothing more than a breakdown of light. Objects reflect back to our eyes only the color that defines it. This is why it is so important to recognize the close link between color and matter. For this project, there are three keywords that guide the research: Words, Places, Matters.

WORDS: Naming colors is important to make them familiar and easily recognizable.

PLACES: Places define colors. Recognizing different types of places is a starting point for defining and suggesting color combinations.

MATERIALS: Objects do not exist in isolation, but rather match the environment around them: analyzing the materials that make up the environment itself helps us to make decisions; to decide, for example, if the character of a place is false or if instead it is genuinely artistic.

COLOURS RAL



● Ral standard (without supplement)



There is increasing demand for high-performance buildings that have a very low energy consumption and use energy derived from renewable sources. In particular, the limitation of solar heat gain is one of the most important aspects of summer thermal comfort. Solar shading plays an essential role in this concept. The gtot value determines the ability of the solar shield to maintain, in an environment directly exposed to solar radiation, a more comfortable temperature than that which would occur with the presence of glass alone. The solar heat gains are directly proportional to the total transmittance of solar energy gtot, a value that depends on the glazing and external shielding. The European product standard EN 13561: 2015 and the EN 14501 standard identify 5 energy performance classes as shown in the table below.

Effect of GTOT on thermal comfort					
Gtot value	$\geq 0,50$	$\geq 0,35 \text{ e } < 0,50$	$\geq 0,15 \text{ e } < 0,35$	$\geq 0,10 \text{ e } < 0,15$	$< 0,10$
Class	0	1	2	3	4
	very mild effect	Mild effect	Moderate effect	good effect	very good effect

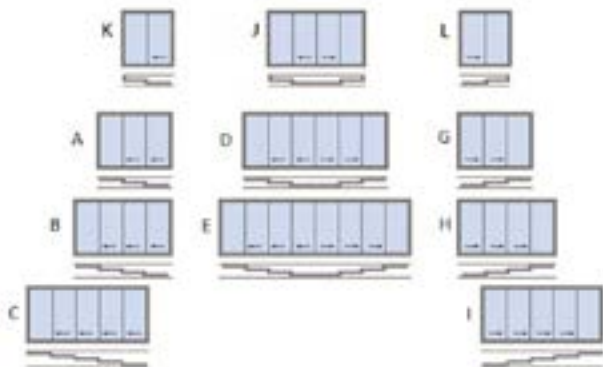
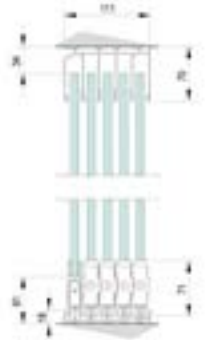
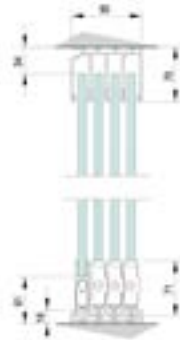
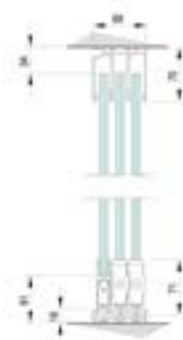
Each KE product has a Gtot value according to the shading fabric / profiles used. For details, refer to the information provided with the technical data sheet of the fabric and the CE label.

OPTIONAL_LINE GLASS



Sliding windows with frameless doors. Lower track only 18 mm high. Easy installation with left or right hand opening. Side or central closure. Packaging with aligned windows. Height adjustment up to 8 mm for each single door. Removable for easy cleaning. Closure with self-locking and / or lock. Waterproofing is not guaranteed during heavy rain or rain with wind.

Technical Details





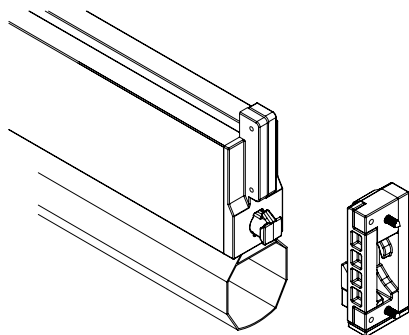
Vertika is a vertical closure that provides protection from sun and rain.
It can be equipped with WIND BLOCK, a locking tensioning system for the fabric.
With Vertika you can use blackout and filtering fabrics to better manage solar radiation.

- AVAILABLE:

110 GPR
110 GPZ
130 GPR
130 GPZ

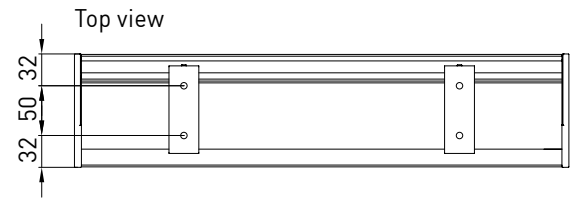
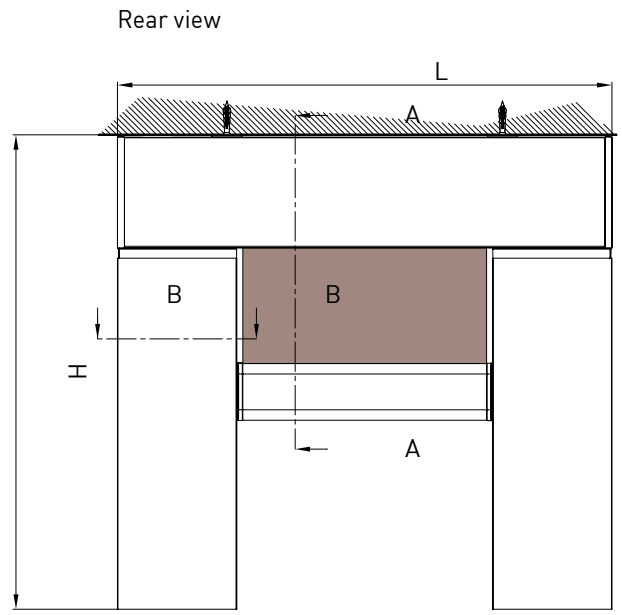
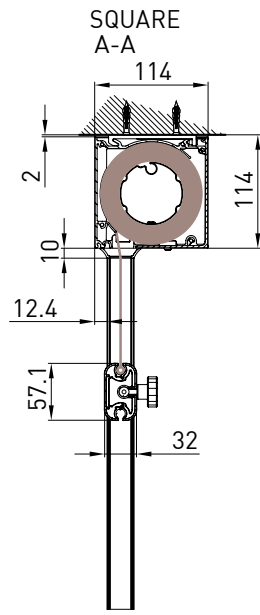
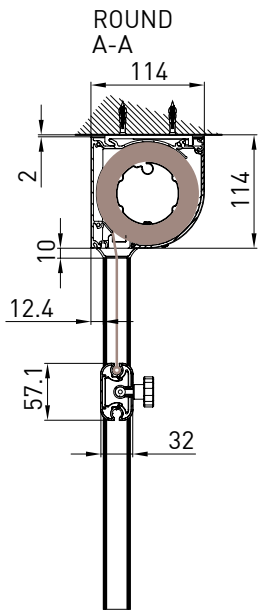


Technical Details

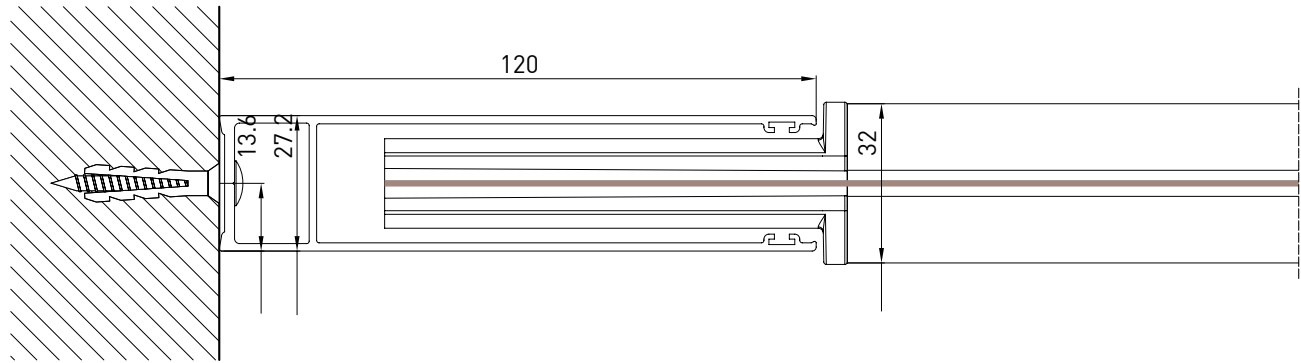


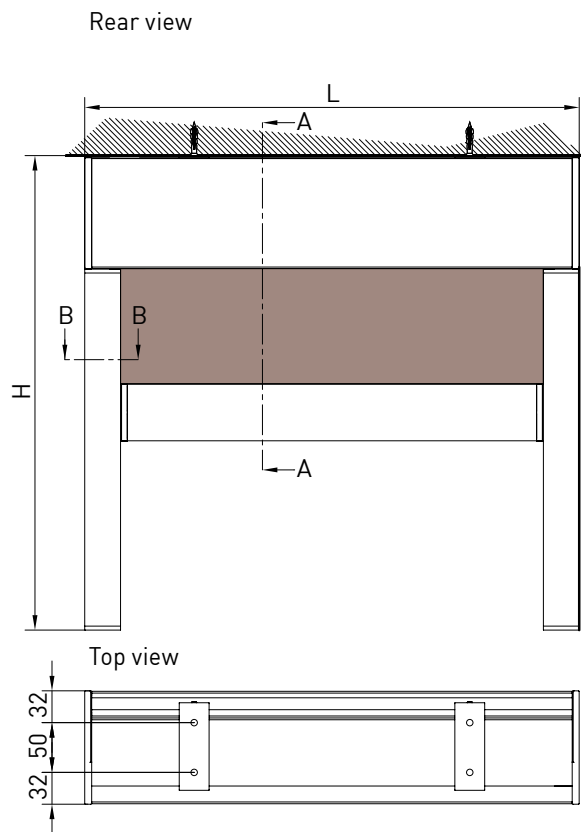
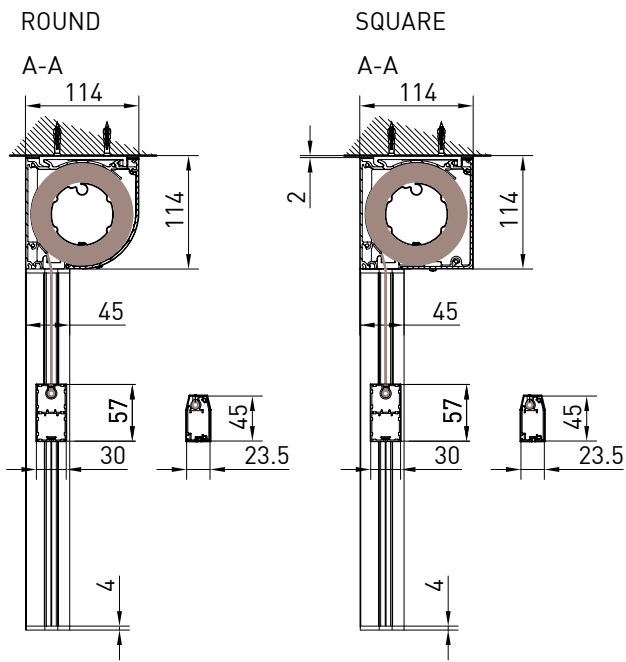
WIND BLOCK: Front bar Interlock device to be used on 100 and 130 Screeny GPZ guide, GPZ I and Gpz Unica. In wind, front bar stays locked in the low position and fabric is steadily tightened when the awning is opened completely.

VERTIKA_110 GPR

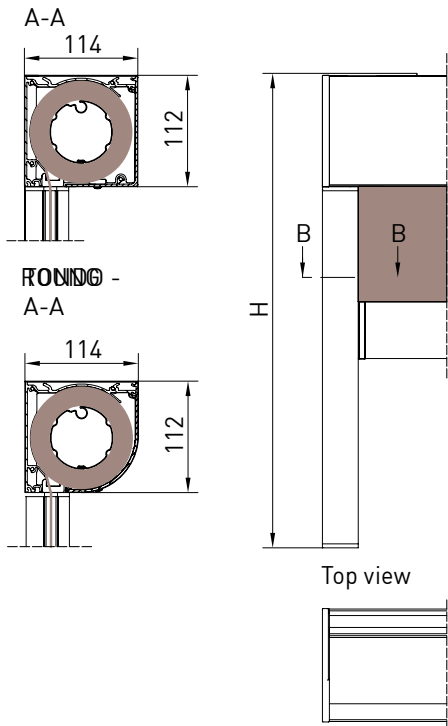


Niche guide B-B



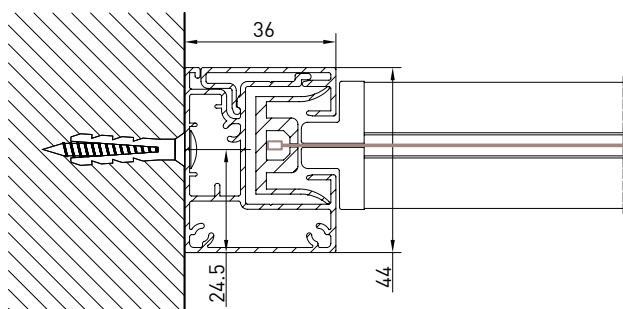


FREESTANDING - SQUARE



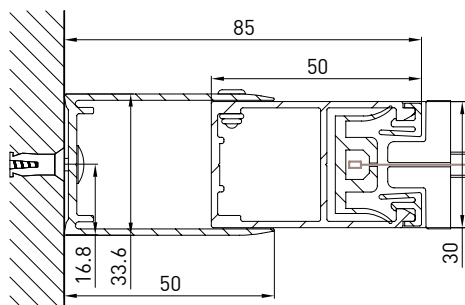
VERTIKA_110 GPZ

Niche guide
B-B

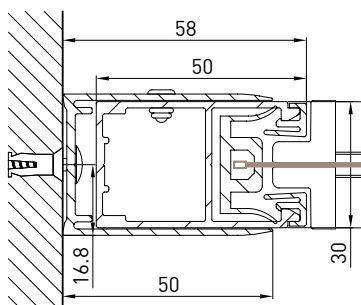


GPZ C

Niche guide
B-B

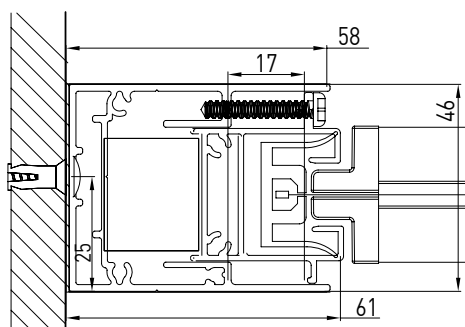


Niche guide
B-B

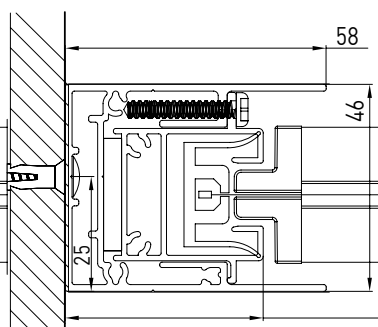


GPZ I

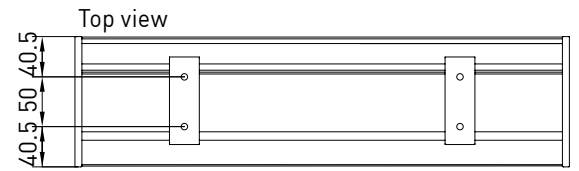
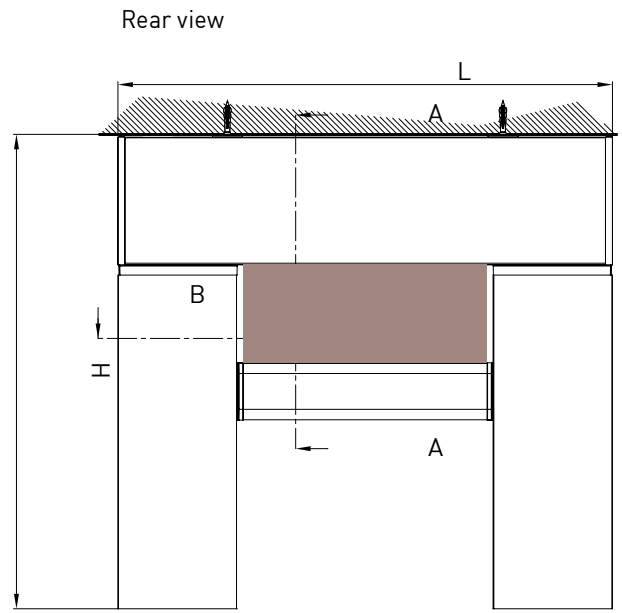
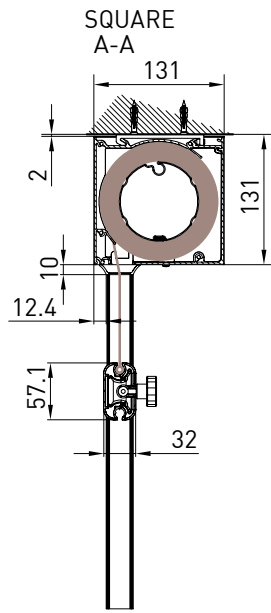
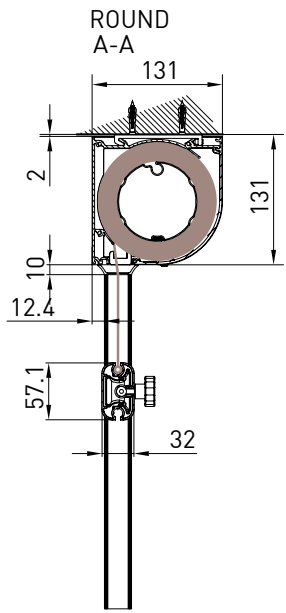
Niche guide
B-B



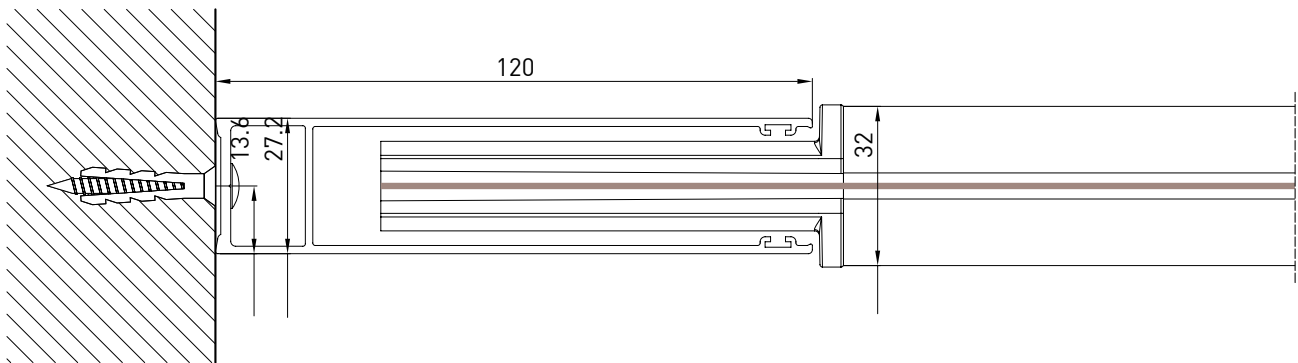
Niche guide
B-B



VERTIKA_130 GPR



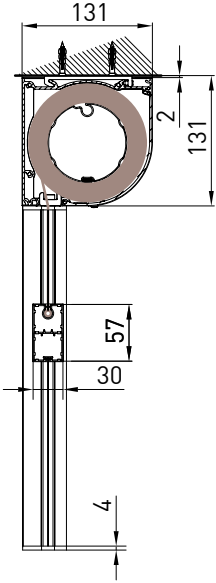
Niche guide B-B



VERTIKA_130 GPZ

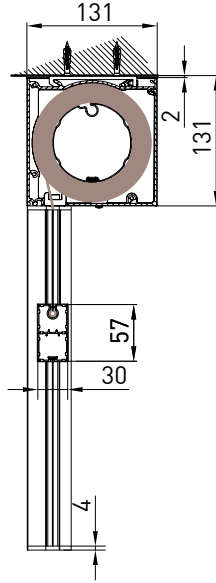
ROUND

A-A

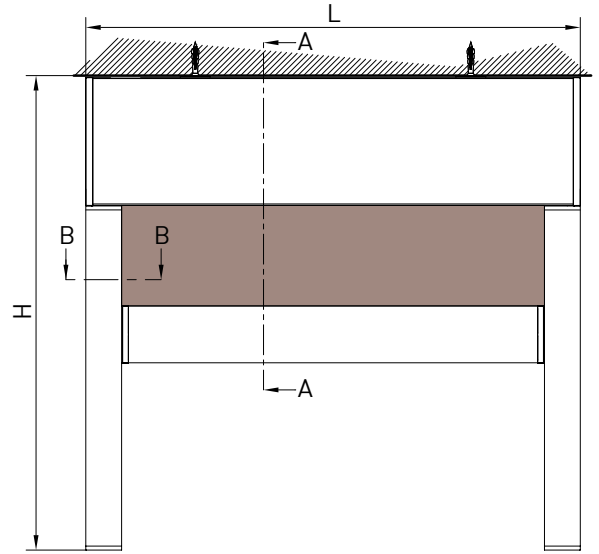


SQUARE

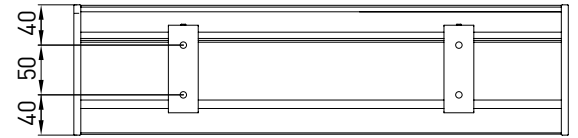
A-A



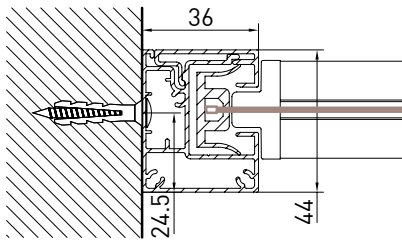
Rear view



Top view

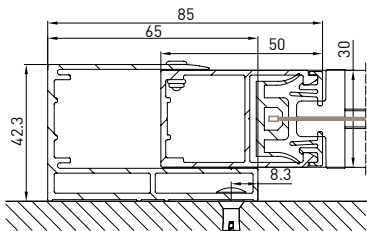


Niche guide
B-B

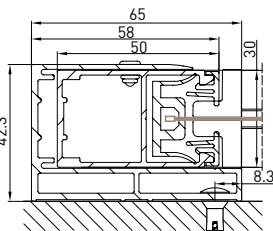


GPZ C

Wall guide (GCP)
B-B

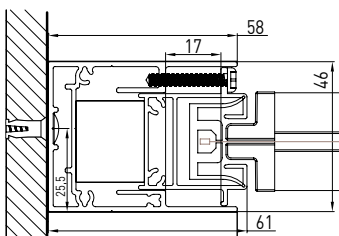


Wall guide (GCP)
B-B

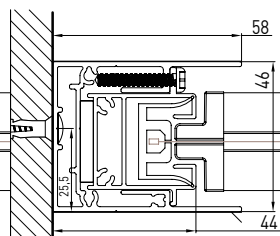


VERSIONE GPZ I

Niche guide
B-B



Niche guide
B-B



OPTIONAL SIDE CLOSURES _ DOORS AND CURTAINS



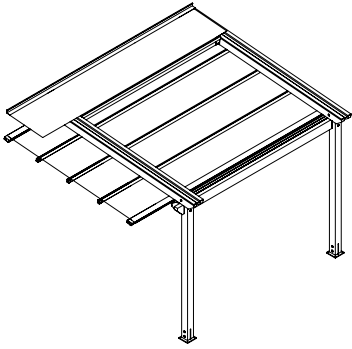
The doors have been designed to provide protection from water and wind. They are made from extruded aluminum alloy profiles (EN-AW 6060-T6) and 4 + 4 pvd 0.76 safety and shatterproof laminated glass in accordance with UNI 7697 2014. Doors are available in either one or two door versions.

The interior of the structure can be enhanced with decorative curtains. That extra romantic touch which will surely be appreciated by anyone looking for a little privacy or who want "a room all to themselves".

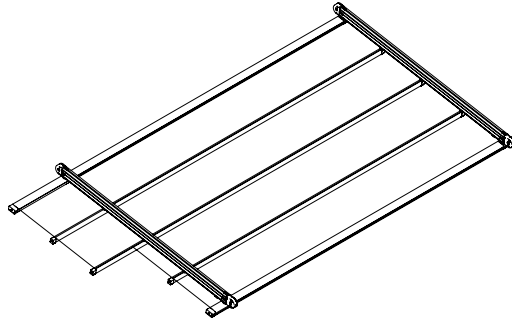
SPECIAL STRUCTURES

The technical office is available for assistance with non-standard structures such as some examples shown below. KE can also produce special brackets on request.

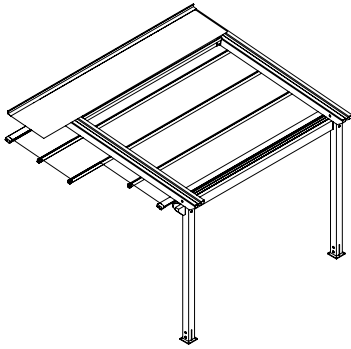
Cantilevered



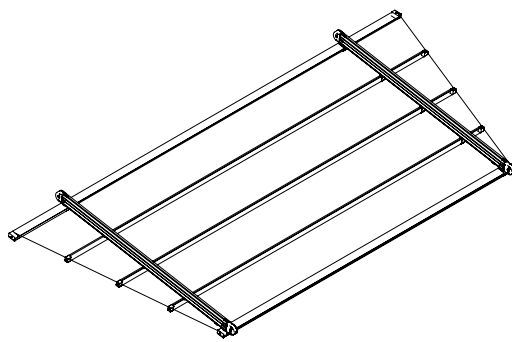
Cantilevered with recess



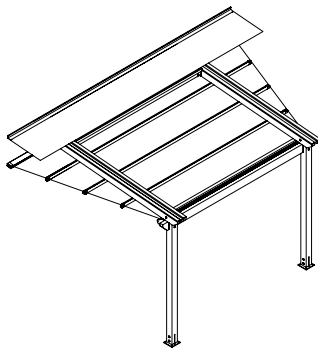
Cantilevered with recess



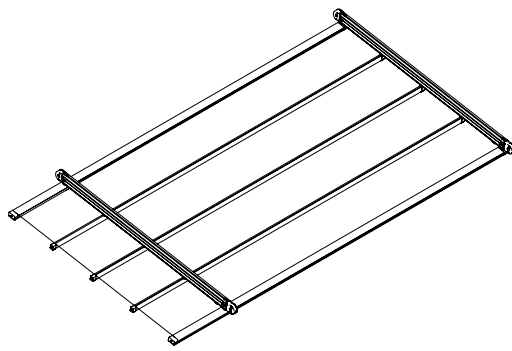
Slanting



Slanting



Cantilevered



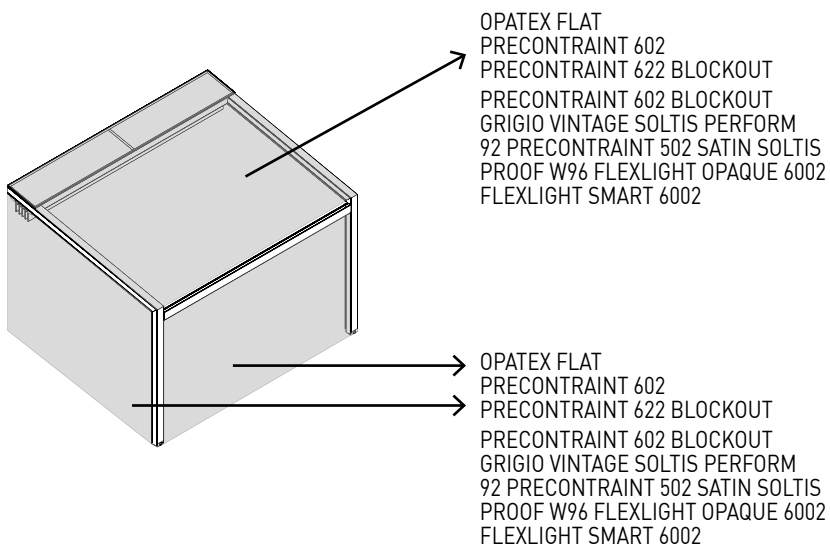
FABRICS



KE
ENJOY THE OUTDOORS

Thermal comfort blends perfectly with beautiful style thanks to the more than 500 high performance fabrics available. A wide variety of colors, styles and solar shading factors allow for a system that meets your specific needs. All fabrics are CE Certified according to the EN 13561 and EN 14501 technical standards.

N.B.
See the Fabric Guide for further fabric specifications.



Standard

- OPATEX FLAT
PRECONSTRAINT 602
PRECONSTRAINT 622 BLOCKOUT

Optional

- PRECONSTRAINT 602 BLOCKOUT GRIGIO VINTAGE SOLTIS PERFORM
92 PRECONSTRAINT 502 SATIN SOLTIS PROOF W96 FLEXLIGHT
OPAQUE 6002 FLEXLIGHT SMART 6002

DICHIARAZIONE DI PRESTAZIONE 008-27/2017

Codice identificazione prodotto: GENNIUS VEGA

Uso previsto del prodotto da costruzione, conformemente a UNI EN 13561:2015 - EN 1932:2013:
Tende per uso esterno

Nome e indirizzo del fabbricante:

KE PROTEZIONI SOLARI S.r.l.
Via Calnova, 160/a
30020 NOVENTA DI PIAVE (VE) - ITALY

Sistema di valutazione e verifica della costanza della prestazione del prodotto da costruzione:
Sistema 4

Specifica armonizzata:

UNI EN 13561:2015 - UNI EN 1932:2013

Classificazione secondo Prospetto 1 - § 4.1 UNI EN 13561:2015:

Classi di resistenza al vento	0	1	2	3	4	5	6
Pressione nominale del vento p_n (N/m ²)	<40	40	70	110	170	270	400
Pressione di sicurezza del vento p_s (N/m ²)	<48	48	84	132	204	234	480

Velocità massima del vento al di sopra della quale la tenda deve essere ritratta:

Classi di resistenza al vento	0	1	2	3	4	5	6
Velocità del vento (km/h)	<25	25	35	45	55	65	80

Prestazione dichiarata:

Resistenza ai carichi da vento – Configurazione a 2 guide							
		Larghezza (cm)					
		250	300	350	400	450	500
Sporgenza (cm)	250	6	6	6	6	6	6
	300	6	6	6	6	6	6
	350	6	6	6	6	6	6
	400	6	6	6	6	6	6
	450	6	6	6	6	6	6
	500	6	6	6	6	6	6
	550	6	6	6	6	6	6
	600	6	6	6	6	6	6

Resistenza ai carichi da vento – Configurazione a 3 guide										
		Larghezza (cm)								
		500	550	600	650	700	750	800	850	900
Sporgenza (cm)	250	6	6	6	6	6	6	6	6	6
	300	6	6	6	6	6	6	6	6	6
	350	6	6	6	6	6	6	6	6	6
	400	6	6	6	6	6	6	6	6	6
	450	6	6	6	6	6	6	6	6	6
	500	6	6	6	6	6	6	6	5	5
	550	6	6	6	6	5	5	5	5	5
	600	6	6	5	5	5	5	5	4	4
	650	6	5	5	5	5	4	4	4	4
	700	5	5	5	4	4	4	4	4	4

Resistenza ai carichi da vento – Configurazione a 4 guide									
		Larghezza (cm)							
		950	1000	1050	1100	1150	1200	1250	1300
Sporgenza (cm)	250	6	6	6	6	6	6	6	6
	300	6	6	6	6	6	6	6	6
	350	6	6	6	6	6	6	6	6
	400	6	6	6	6	6	6	6	6
	450	6	6	6	6	6	6	6	6
	500	6	6	6	6	6	6	6	5
	550	6	6	5	5	5	5	5	5
	600	5	5	5	5	5	5	5	4
	650	5	5	5	4	4	4	4	4
	700	4	4	4	4	4	4	4	4

Trasmissione totale di energia solare g_{tot} : valore come riportato in etichetta CE.

La prestazione dei prodotti sopra indicati sono conformi all'insieme delle prestazioni dichiarate.
Si rilascia la presente dichiarazione di prestazione sotto la responsabilità esclusiva del fabbricante sopra identificato.

Noventa di Piave, 02 Gennaio 2017


Antonio M. Basso
Amministratore Delegato



Lighting plays a very important role in allowing our pergolas to be used at any time of day. KE uses LED lights, perfectly integrated into the profiles of the structures. LED technology allows for low energy consumption, multiple applications and changes to light color and intensity using a simple remote control.

N.B.
See the Fabric Guide for further fabric specifications.



DATI_TECNICI:

STRIP LED	
Watt	10W
volt	24V
flow	830lm
Color temperature	3400 K
LED/m	98 led/m



EN ISO 9001

KE has adopted a Quality Management System compliant with EN ISO 9001 requirements in order to maintain and increase quality and meet the highest customer expectations. This continuous improvement, through the control of all processes and careful evaluation of risks and opportunities, engages the entire organization in the development of systems to ensure the safety and reliability of the product and in the search for innovative solutions and technologies.

OHSAS 18001

KE has activated a Safety Management System as an integral part of its work organization, committing itself to organizing the entire structure in order to pursue the objectives of continuous improvement in terms of safety and health protection. Training, knowledge and compliance with current legislation on health and safety at work, cooperation and collaboration and preventive activities are actively pursued in order to minimize the possibility of non-compliance.

EN ISO 14001

KE is ISO 14001 certified for environmental management and strives to be an example of respect for environmental resources and for the continuous improvement of its environmental management system. It is committed to continuous improvement and pollution prevention in compliance with applicable laws, regulations and standards; systematically detects any environmental impact of manufacturing processes, promotes the culture of recovery and recycling in the company and in the related production chain.

CE MARK _ EN 13561

The CE marking of outdoor awnings is a signal to the Consumer that the product can be sold freely in the EU single market, as it complies with Community provisions which recognize safety as the priority of every product that has this agreed upon reference standard. Verification of wind resistance capacity and the clear indication of the ability of the awning to contribute to the energy savings of the building (Gtot), are some of the commitments that the manufacturer makes to a product that has earned the CE marking. The name of the manufacturer, the reference standard (in our case EN 13561) accompany a product that is properly adapted to European indications.

CE MARK _ EN 1090-1

KE extended the CE marking in 2015 to stationary awnings, which are among the aluminum structural components covered by the international standard EN 1090-1. This marking reflects our use of rigorous structural design and manufacturing with qualified processes, adequate industrial resources and qualified personnel.

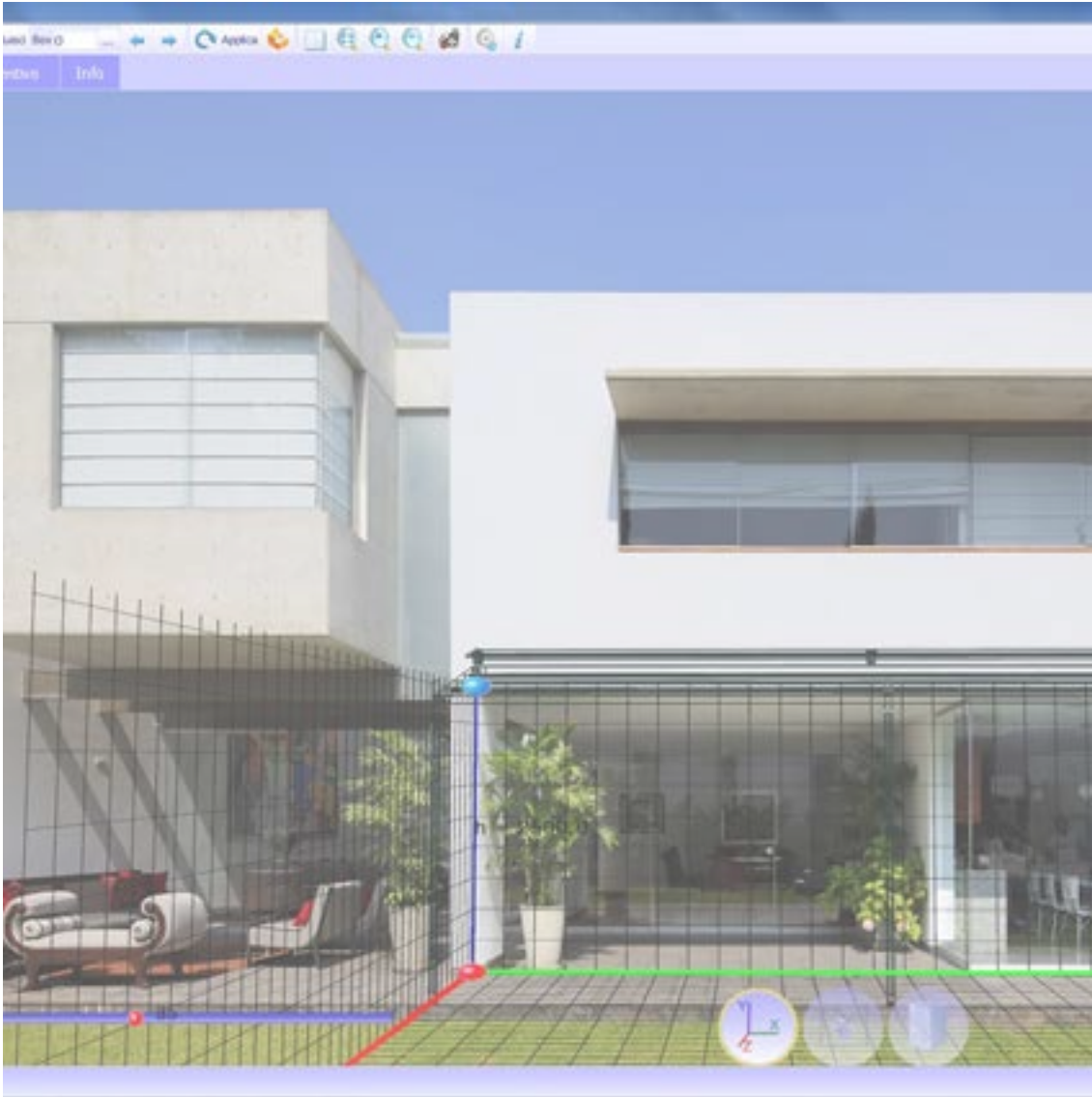
VIRTUAL SHOW ROOM



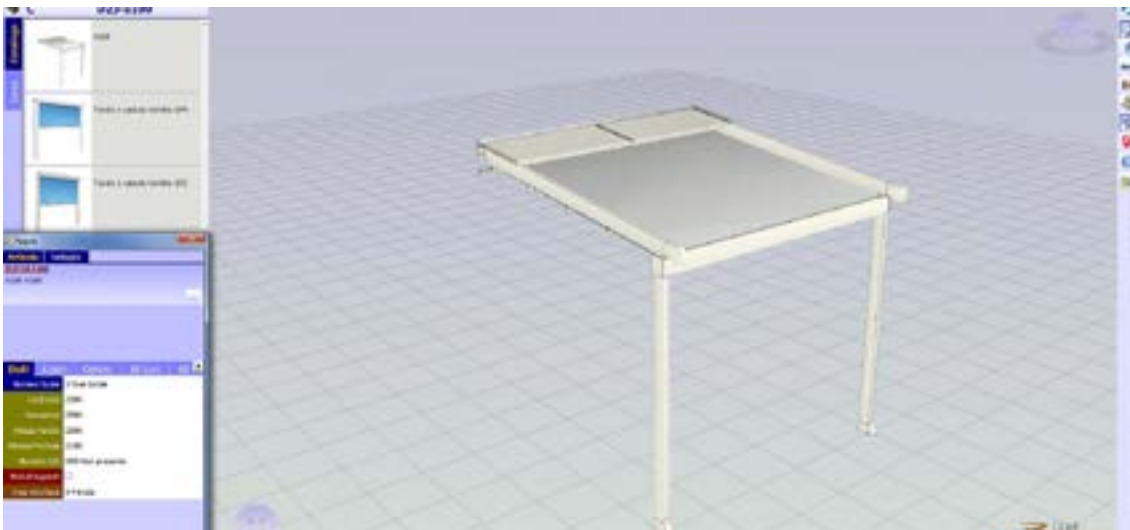
KE has adapted to the new ways of using the product by working on a digital showroom that is able to give the user a high-impact visual experience, a functional space where they can move around freely, receive detailed information on products with a simple click, and access content of interest quickly and intuitively. There is viewable content such as augmented reality and downloadable files such as data sheets, brochures and 3D models.



KE
ENJOY THE OUTDOORS



The KE B2B order system is a simple and intuitive service for placing orders conveniently online. An attractive graphic design, numerous functionalities and an easy and intuitive use mode that allows to access in real time to all the information related to the history of the orders and to the processing of the current ones. With the Cad Lite 3D Configurator you can configure Genius and Bioclimatica models thanks to a constantly updated online catalogue. Thanks to an easy-to-use interface, it also allows you to formulate a complete quote with minimal error.





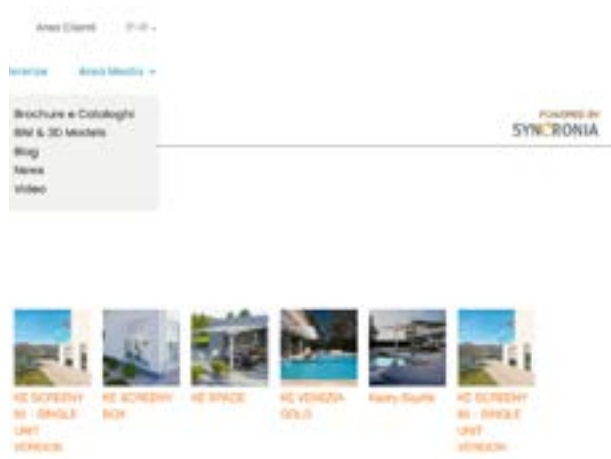
Home > Ambienti

Ambienti

La nostra missione è creare nuovi spazi outdoor da vivere in totale armonia. Grazie alle nostre coperture solari e alle strutture per esterni personalizzate, potrai arredare con stile il tuo terrazzo, giardino, attico, ma anche modulare. [Leggi di più](#)



BIM technology improves the working method of designers and is now the main source of information for the realisation of a project. With BIM the model is generated in a "parametric 3D" from which a series of information such as 2D views, elevations, sections but also metric calculations and much more can be automatically derived. On the KE website you can find the BIM gallery of the main KE models, the certifications and all the useful technical documentation for each product: www.keoutdoordesign.com





A GROUP, A VISION, A GROUP IN EVOLUTION

Since 1987, KE has been designing and manufacturing arm awnings, cassette awnings, drop awnings, canopies, shelters and is specialised in shading structures that enhance the liveability of outdoor spaces, up to the redesign and restyling of urban furniture. Both for the variety of the range and the depth of the configurations, KE is a manufacturing reality able to satisfy the most demanding requests the most demanding requirements of designers, architects, window and door manufacturers, upholsterers and outdoor professionals.



Improving the experience

With KE's professionalism and experience you can rely on quality products designed to enhance your customers' outdoor experience. With KE it will be easier to live the outdoor space in perfect harmony with the surrounding environment, widening the viewpoints and ensuring maximum comfort in all seasons. all seasons.